

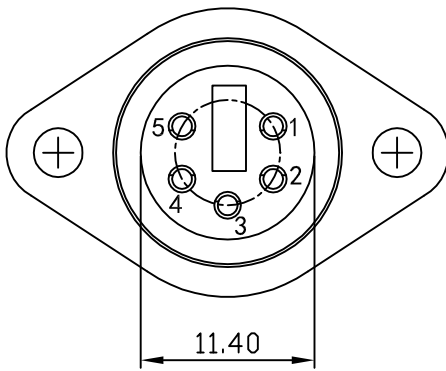
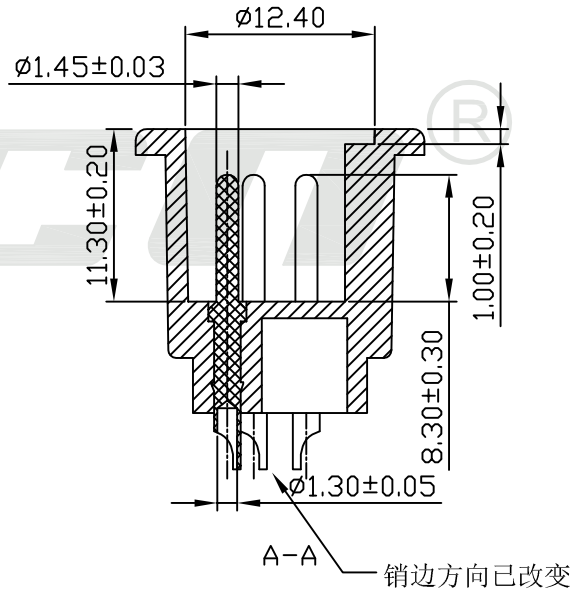
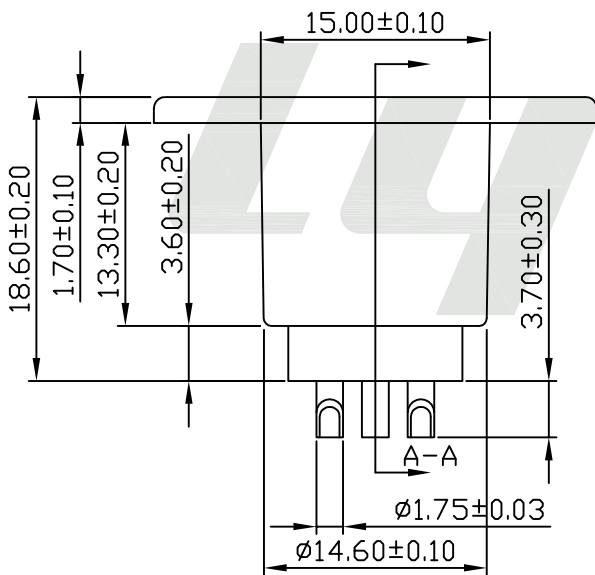
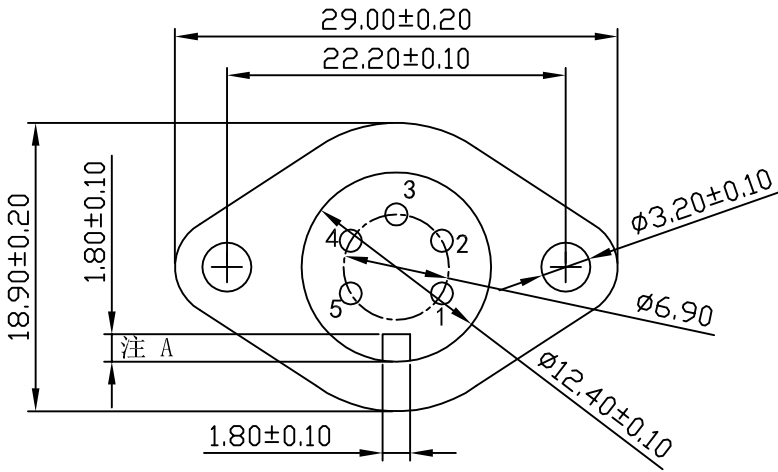
| | | | | | |
|-----|------|-----|--------------|---------|----------|
| E | | | | | |
| D | | | | | |
| C | | | | | |
| B | | | 注 A | | |
| A | | | RELEASED | | 23/07-07 |
| REV | ZONE | LTR | DESCRIPTION. | ECN.NO. | Date |

SPECIFICATIONS:

Current Rating: 10.0 AMP
 Contact Resistance: 10mΩ Max
 Insulation Resistance: 1000MΩ Min
 Withstand Voltage: 600V AC/minute
 Operation Temperature: -40°C to +105°C

MATERIALS:

Contact Material: Brass(H59-3)
 Contact Plating: Gold or Tin over 50u" Ni
 Insulator Material: Polyester(UL94V-0)



Ordering Code

① ② ③ ④ ⑤
 5 M 4 X X

- | | |
|---|--|
| ① Series No. : 5=5P Waterproof connector | ⑤ Contact Plated 1=Gold flash 2=Gold 3u" 3=Gold 5u" 4=Gold 10u" 5=Gold 15u" 6=Gold 30u" 7=Tin 200u" |
| ② Connector Type: M=Male F=Female | |
| ③ Connection Style: 4=Solder Cup | |
| ④ Material Type: 1=PBT | |

| | |
|-------------|------|
| Drawing By | Date |
| Check By | Date |
| Approval By | Date |

| | | | |
|--------------------------------------|----|-------|-----|
| Units | mm | Scale | 2:1 |
| Tolerance Unless Otherwise Specified | | | |
| .X ~ ±0.30 | | | |
| .XX ~ ±0.25 | | | |
| .XXX ~ ±0.20 | | | |
| Angle ~ ± 3° | | | |

| | | | |
|------------------------|------------|---------------------------------------|-------------|
| Lycn ® | | 深圳市联益电子有限公司 HTTP: //WWW.LYCONN.COM | |
| Date | 2007/07/23 | Title | 5P线材防水连接头公座 |
| Sheet | 1 of 1 | Drawing No. | LY-011-A1 |
| Third Angle Projection | | File Path | |
| | | REV | A |