

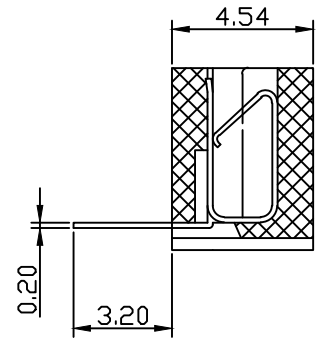
PCB LAYOUT

SPECIFICATIONS:

- Pith: 2.54mm
- Poles: 3~21
- Voltage rating: 250V DC/AC (rms)
- Current Rating: 1.0 A
- Contact Resistance: 30mΩ Max
- Insulation Resistance: 1000MΩ Min
- Withstand Voltage: 1200V AC/minute
- Operation Temperature: -40°C to +85°C
- Single Contact

MATERIALS:

- Material: Phosphor Bronze
- Plating: Tin over 50u" Ni
- Housing: PBT(UL94V-0)



E						Units	mm	Scale	10:1	Drawing By	Date
D						Tolerance Unless				Check By	Date
C						Otherwise Specified				Date	2007/12/14
B							.X	~ ±0.30		Sheet	1 of 1
A							.XX	~ ±0.25		Approval By	Date
REV	ZONE	LTR	DESCRIPTION.	ECN.NO.	Date		.XXX	~ ±0.20		Thirt Angle Projection	
							Angle	~ ± 3°		File Path	REV

Lycon® 深圳市联益电子有限公司
[HTTP://WWW.LYCONN.COM](http://www.lyconn.com)

Title: 2.54mm FPC 卧插

Drawing No. _____

File Path _____

REV: A