

SPECIFICATIONS:

Current Rating: 5.0AMP

Contact Resistance: 30m Ω Max

Insulation Resistance: 5000M Ω Min

Withstand Voltage: 1000VAC for one minute

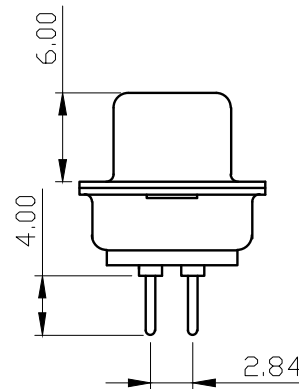
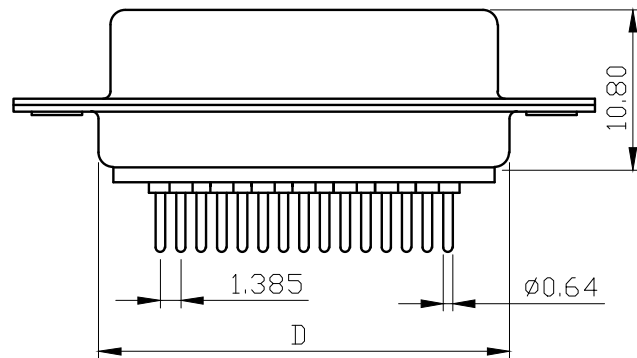
Operation Temperature: -40°C to +105°C

MATERIALS:


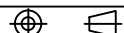
Contact Material: Phosphor Bronze or copper alloy

Contact Plating: Selective gold on surface contact area

Insulator: P.B.T Glass Filled Polyester (UL94V-0)



Circuits	Dim A	Dim B	Dim C	Dim D
9	30.80	25.00	16.30	19.20
15	39.20	33.32	24.60	27.70
25	53.10	47.04	38.30	41.10
37	69.40	63.50	54.80	57.30

E			Units	mm	Scale	1.5:1	Drawing By	Date	 深圳市联益电子有限公司 HTTP://WWW.LYCONN.COM			
D			Tolerance Unless Otherwise Specified			Reviewed By	Date	Date				08/12/27
C			.X ~ ±0.30			Approval By	Date	Sheet	1 of 1	Drawing No.	LY-DPF-XX-006	REV
B			.XX ~ ±0.25			Third Angle Projection				F/Name	S/E/WD/RD	A
A	RELEASED	12/27/08	.XXX ~ ±0.20									
REV	ECN.NO.	Date	Angle ~ ± 3°									